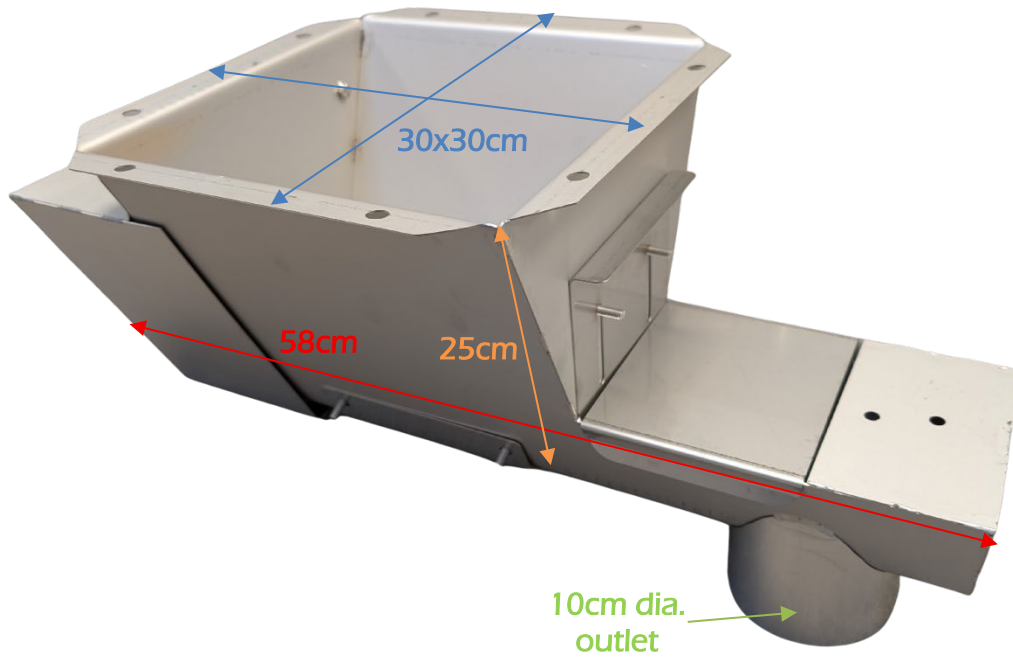




T057 - In Parlour Metering Unit

Ver1.0 April 2026



- Auger motor = 12vDC or 24vDC
- Typical power = 1.9A @ 12vDC
- Flow (pellets) = 5L/min to 11L/min (gate valve)
- Typical installation (hopper and downtube);

