



## T029 – Vacuum Power Set Data

Ver1.0 Feb 2016

Maxivac 3:



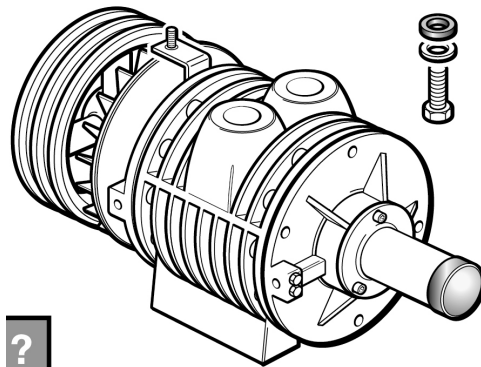
Maxivac 4:



Maxivac 5:



Vac2A (No image)



Vac3A/Vac4B ?

Vac5





**MAXIVAC & ISO POWER SET SPECIFICATION**

PUMP MAXIVAC	L/Min	RPM	PUMP PULLEY			Kw	Phase	MOTOR PULLEY			Vee Belts XPA/SPA	
			PCD	BORE	GROOVES			PCD	BORE	GROOVES		
3	650	760	200	28	1	1.5	1/3	106	24	1	1250/1250	
3	1000	1120	200	28	1	2.2	1/3	106	28	1	1320/1320	
4	1300	850	200	28	1	3	1/3	118	28	1	1320/1320	
4	1800	1120	200	28	1	4	1	160	38	1	1360/1357	
4	1800	1120	200	28	1	4	3	160	28	1	1360/1357	
5	2400	720	225	38	2	5.5	3	112	38	2	1320/1320	
5	3400	960	225	38	2	7.5	3	150	38	2	1400/1400	
<b>ISO PUMP</b>												
Vac 2A	700	1340	180	28	2	2.2	1/3	170	28	2	A50/A1300	
Vac 3A	900	1060	180	28	2	2.2	1/3	132	28	2	A48/A1250	
Vac 3A	1100	1320	180	28	2	3	1/3	160	28	2	A50/A1300	
Vac 4B	1300	900	180	28	2	3	1/3	112	28	2	A51/A1330	
Vac 4B	1600	1100	180	28	2	4	3	132	28	2	A52/A1360	
Vac 4B	1850	1300	180	28	2	4	3	160	28	2	A52/A1360	
Vac 5	2400					5.5						
Vac 5	3350					7.5						