



T036 - Manger Dimensions

MS Part Number 608067 (Left)

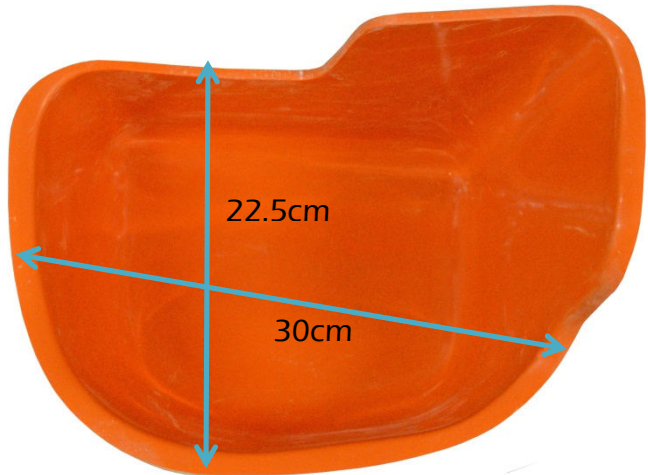
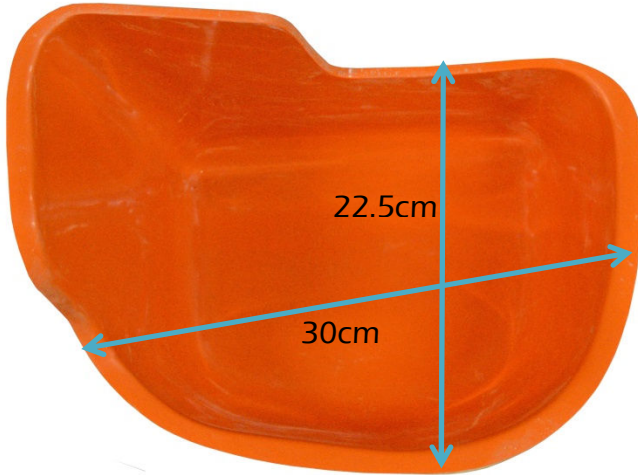
Correlates: D385569MS

Weight = 3.0kg

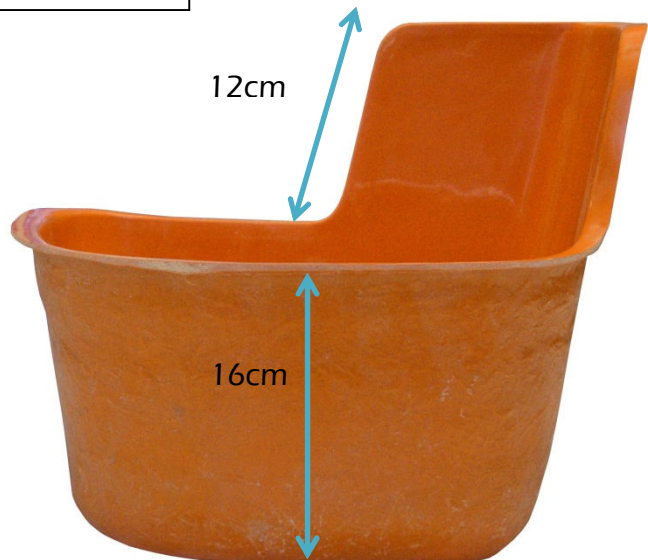
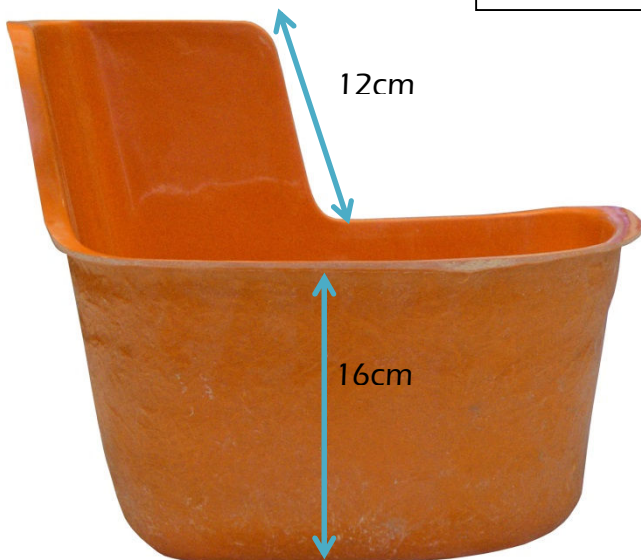
MS Part Number 608066 (Right)

Correlates: D385568MS

Weight = 3.0kg



Sheep / Goat





MS Part Number 608130 (Left)

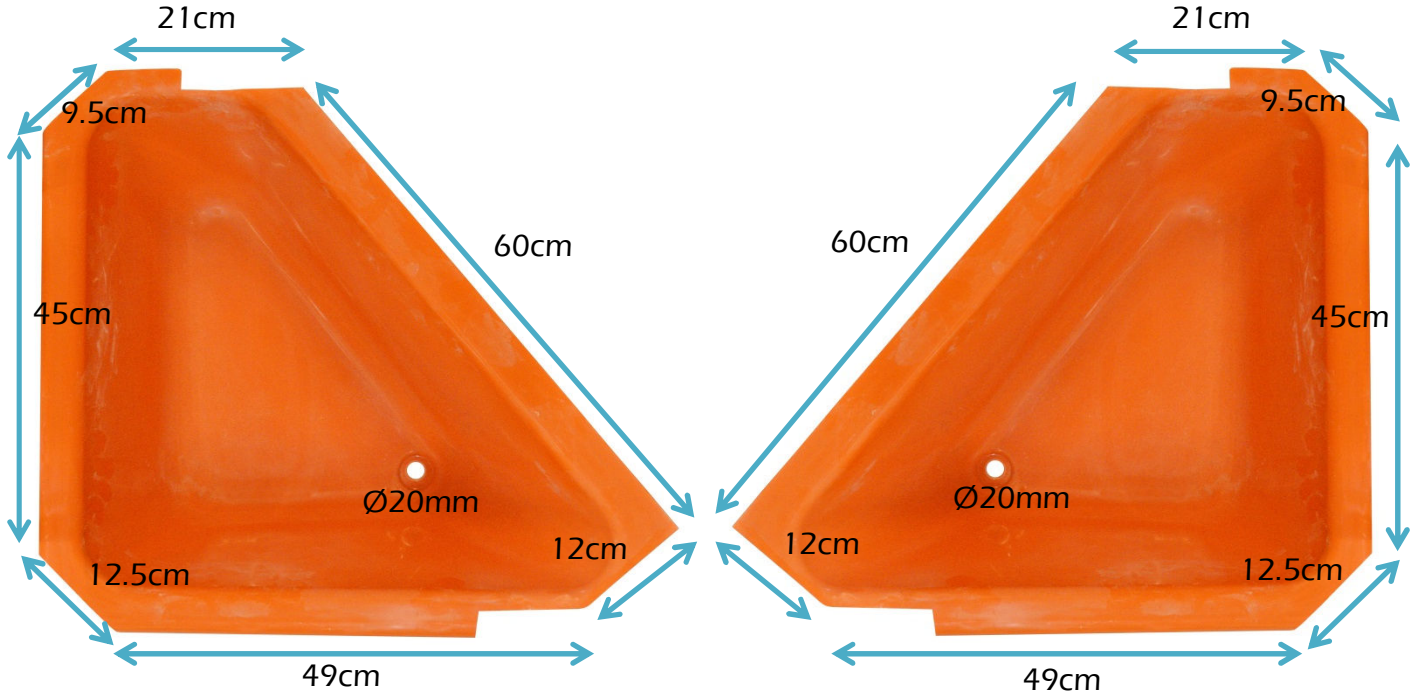
Correlates: D385806MS

Weight = 4.0kg

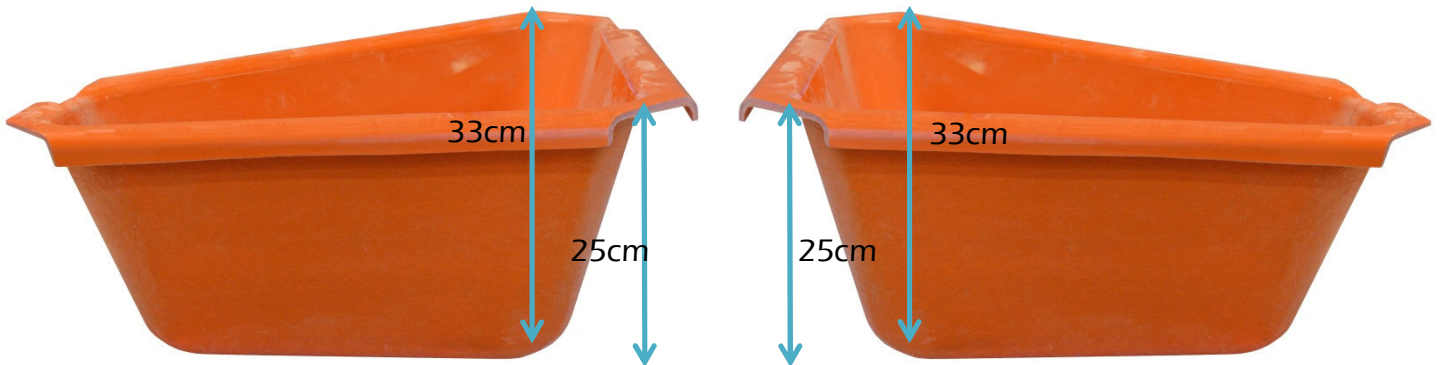
MS Part Number 608131 (Right)

Correlates: D385807MS

Weight = 4.0kg



50 Degree





MS Part Number 608740 (Left)

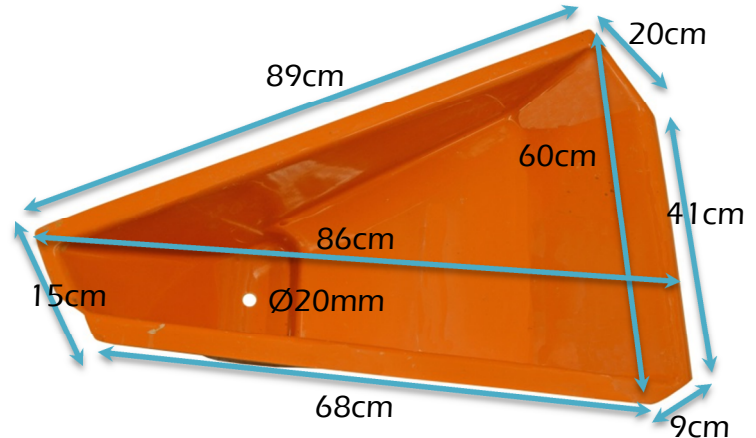
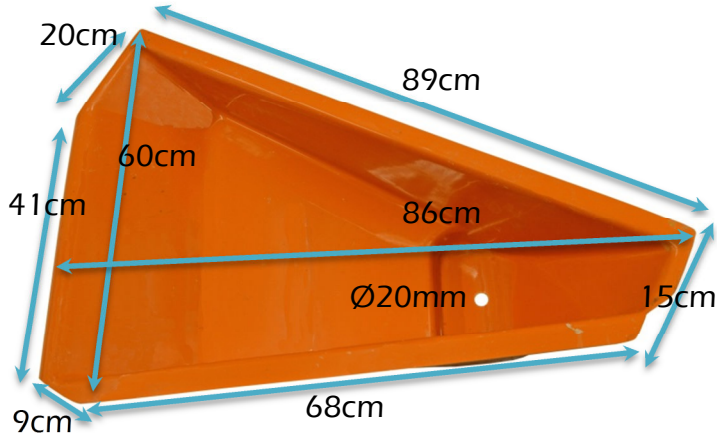
Correlates: G277280MS

Weight = 3.0kg

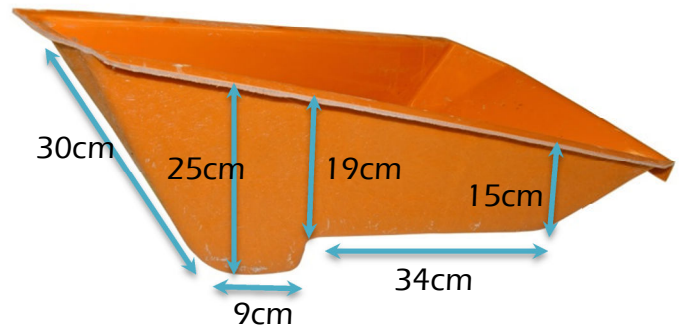
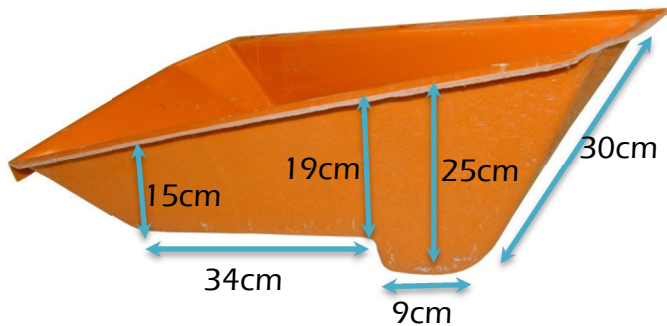
MS Part Number 608741 (Right)

Correlates: G277281MS

Weight = 3.0kg



**33 Degree
(Echelon)**



Original 915 stalls with fully sheeted manger side panels

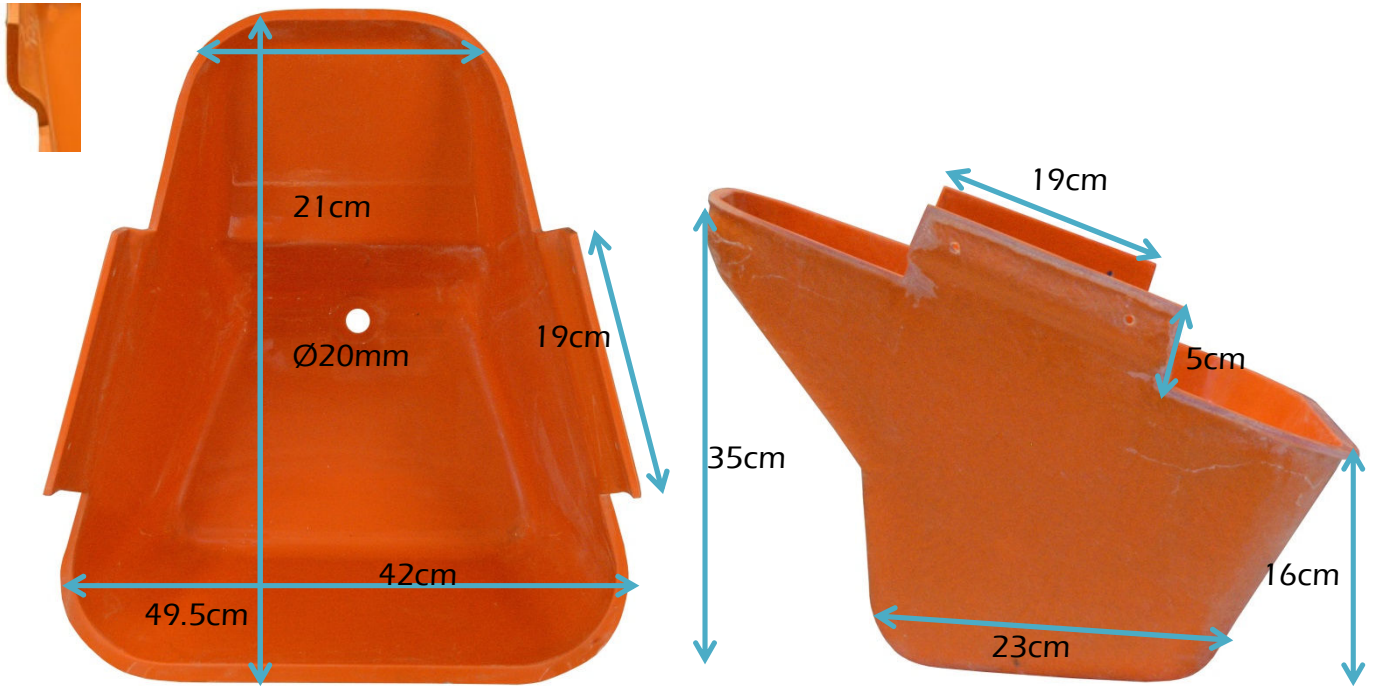


MS Part Number 608077

Correlates: D385597MS

Weight = 2.50kg

Isoline Universal

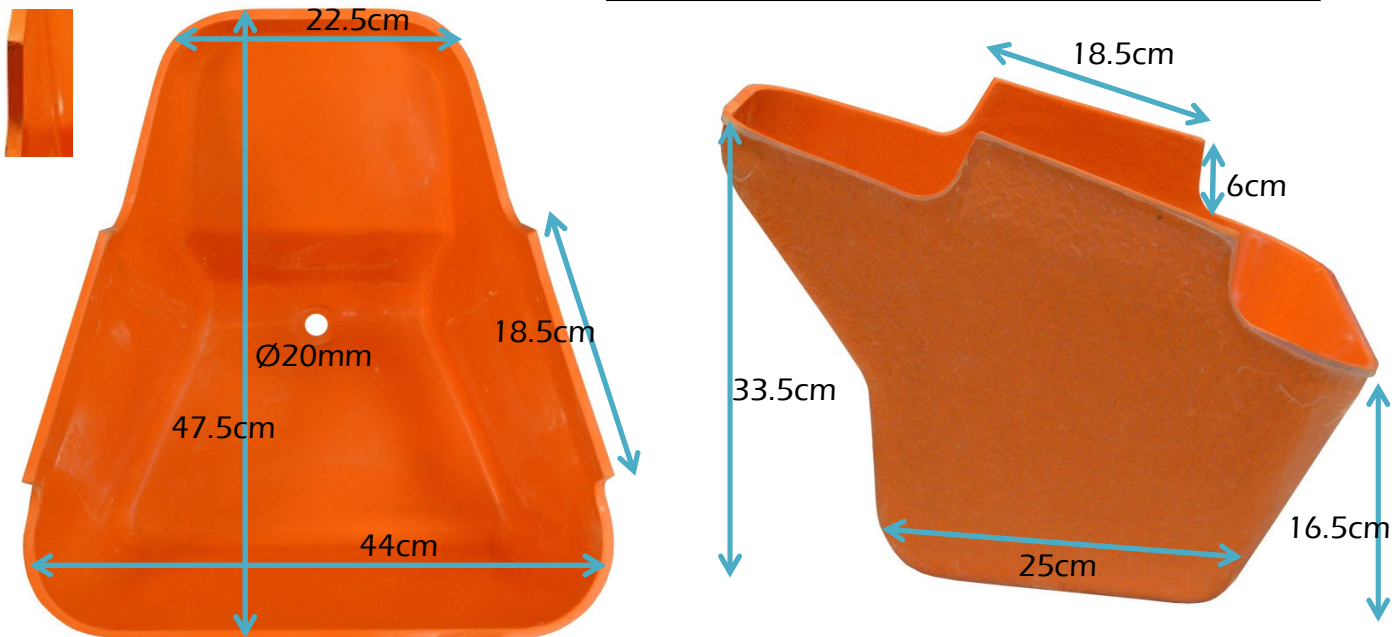


MS Part Number 608801

Correlates: H911230MS

Weight = 2.88kg

Tandem Universal





Milking Solutions



43, Drybridge Street, Monmouth NP25AD

Tel: 01600 772211

Fax: 01600 772210

email: info@milking-solutions.co.uk

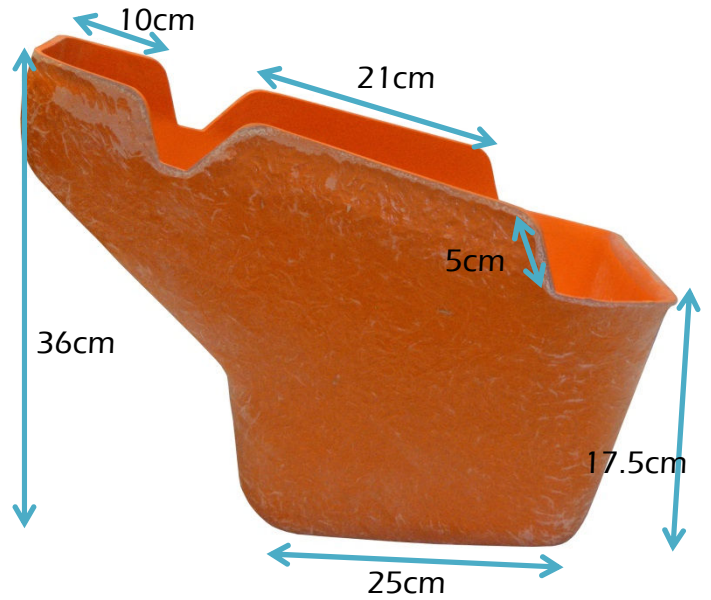
web: www.milking-solutions.com

MS Part Number **608057**

Correlates: **D385025MS**

Weight = 5.0kg

Herringbone & Tandem Angled Universal



*Approximate finished dimensions