

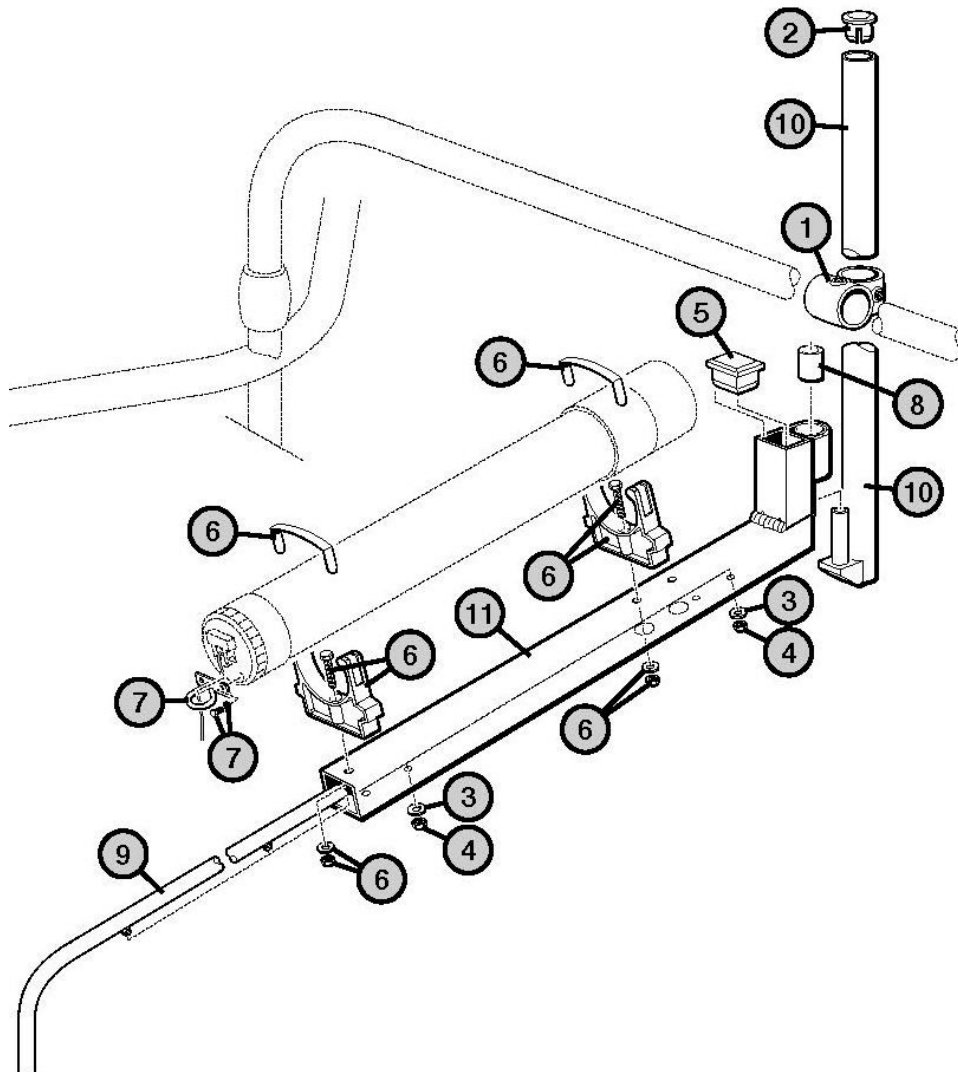


T041 – Swing Over Arm for ACR F140050CMS

Assembly
Contents:

Item Number	Product Code	Description	Quantity
3	D204011MS	MS Washer Plain M6 S/S	2.00
4	D204550MS	MS Nut Hex Nyloc M6 S/S	2.00
6	D255172MS	MS Pack Clip 76mm + Nut & Bolt	2.00
7	D255691MS	MS Pack Cord Guide	1.00
5	D385107MS	MS Plug 50 x 50mm Tube Black Swingover	1.00
9	D480163MS	MS Milk Tube Swingover	1.00
10	D480164MS	MS Hinge Post Swingover Galvanised	1.00
11	D480165MS	MS Arm Swingover Assy	1.00
1	DKK4570	KK Type Crossover 90° 161-3 1¼ inch	1.00
2	DKK7770	KK Type Stop End Cap Plastic 133-3 1¼ inch	2.00
8	M0018MS	MS Hinge Bush Swingover White Mk2	1.00

Exploded Assembly Diagram:





Milking Solutions



43, Drybridge Street, Monmouth NP25AD

Tel: 01600 772211

Fax: 01600 772210

email: info@milking-solutions.co.uk

web: www.milking-solutions.com

